



NORTHWEST PRECAST

# Engineered Precast Stair Systems



**COMPLETE CUSTOMIZATION.....**



**DIAMOND PLATE STAIR PROTECTION.....**



**EASY TO SHIP.....**



**EASY TO INSTALL.....**



**LONG TERM DURABILITY.....**



Metal Deck Pan



Precast Concrete Stair

**PKG BUILDING  
BOISE IDAHO**

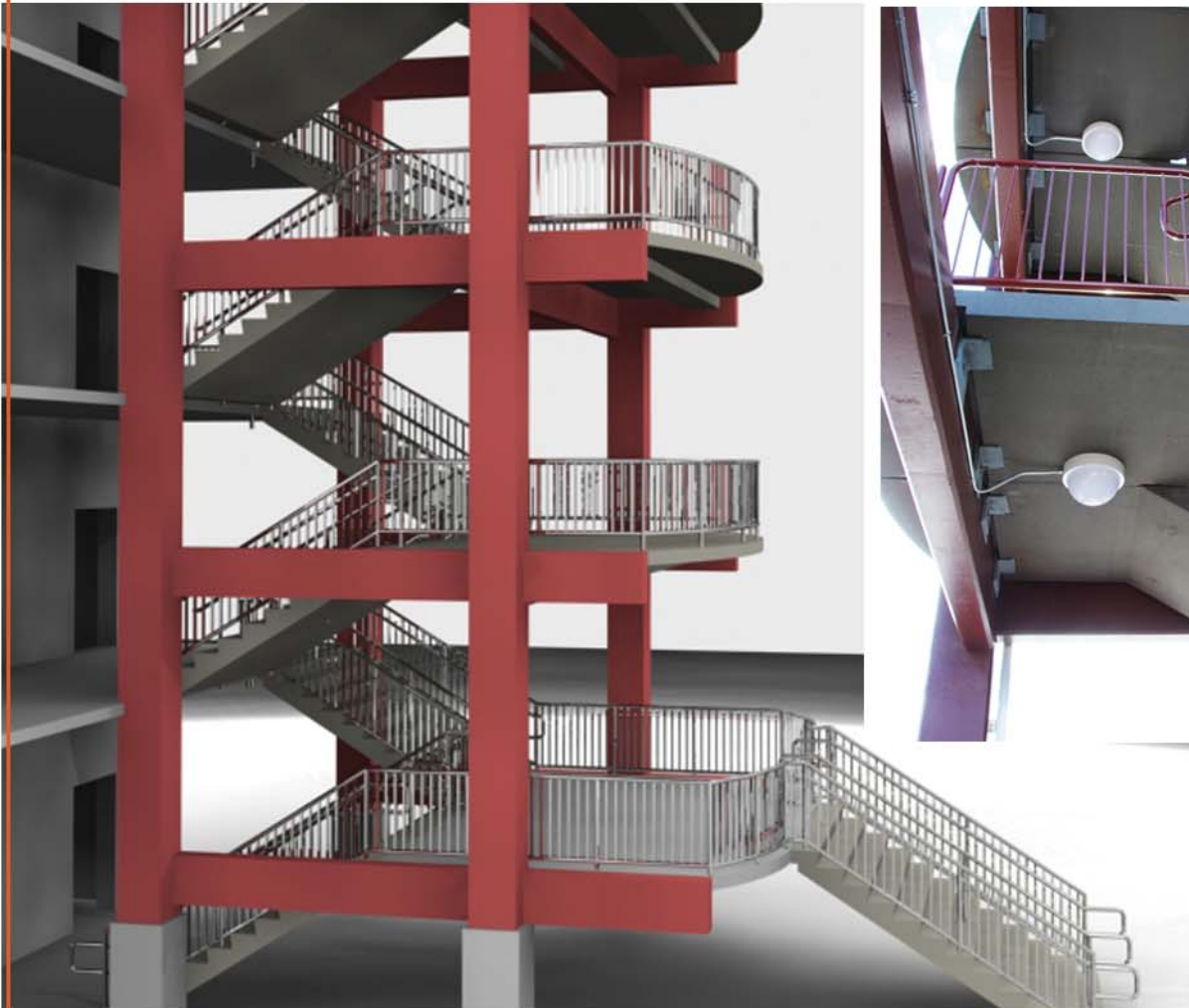
- SPIRAL STAIRS SYSTEM
- FLOATING DESIGN
- STAINLESS STEEL RAILING WITH GLASS PANELS





## CITY CENTER BOISE IDAHO

- 8 FLOORS
- REPLACEMENT FOR DECK PAN SYSTEM
- RETROFIT WHILE BUILDING WAS IN USE



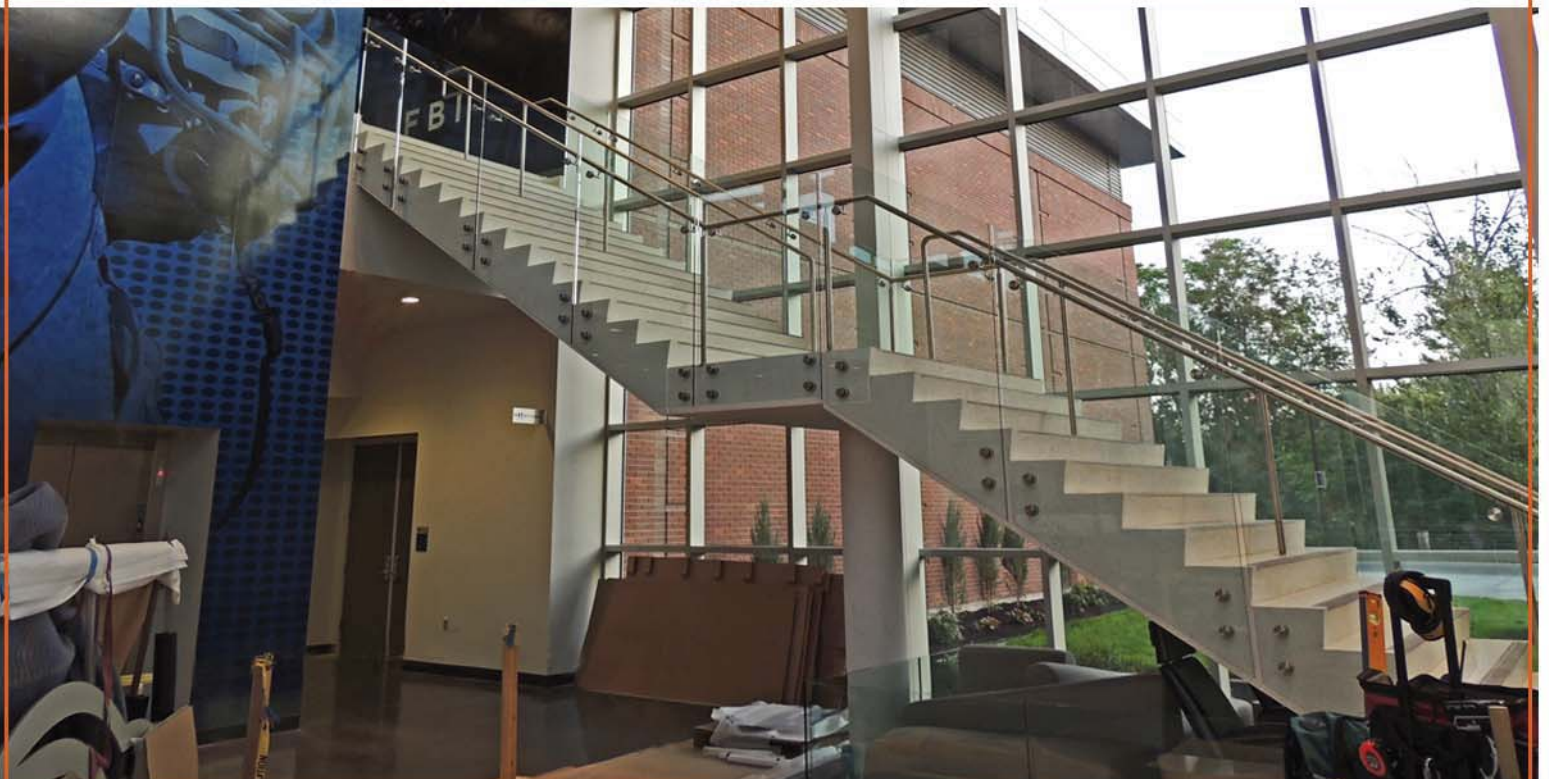
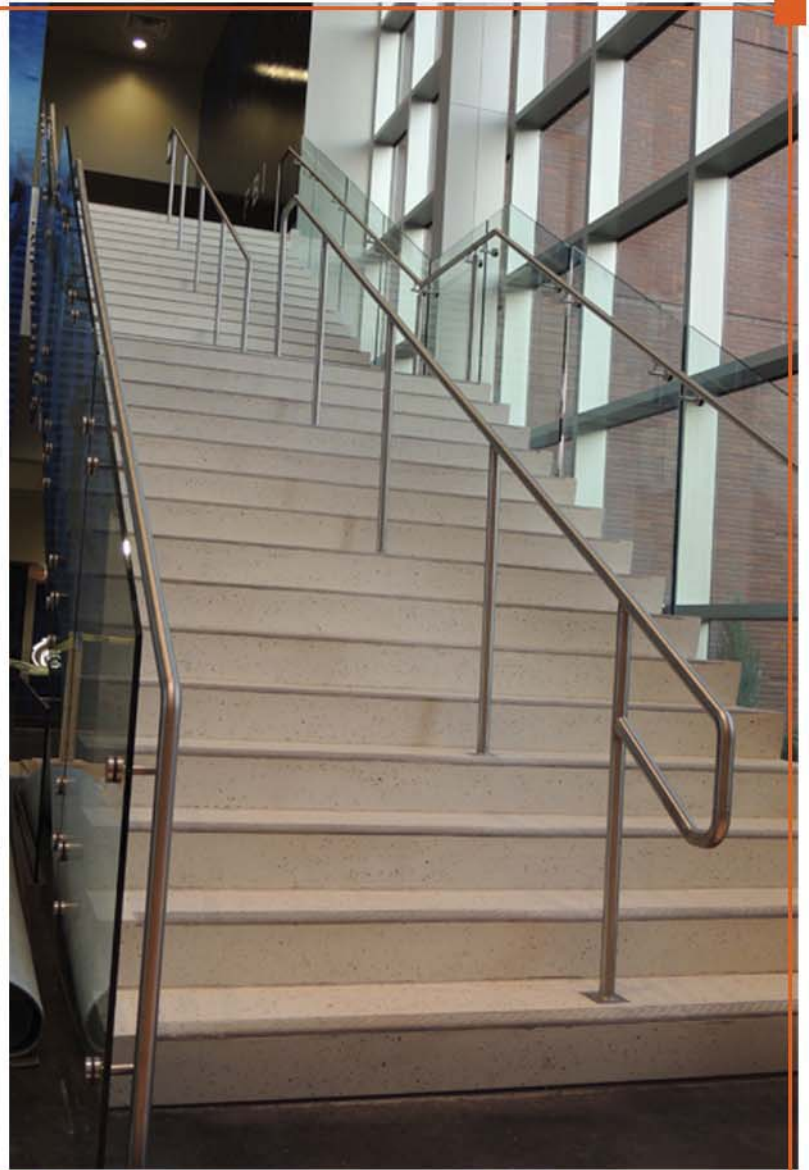
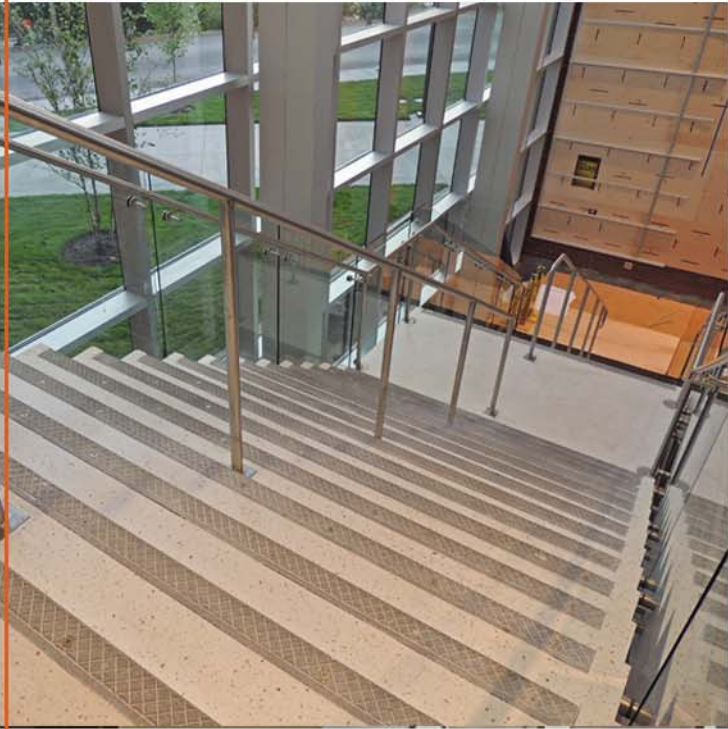
3D PRODUCTION RENDERING BY NORTHWEST PRECAST

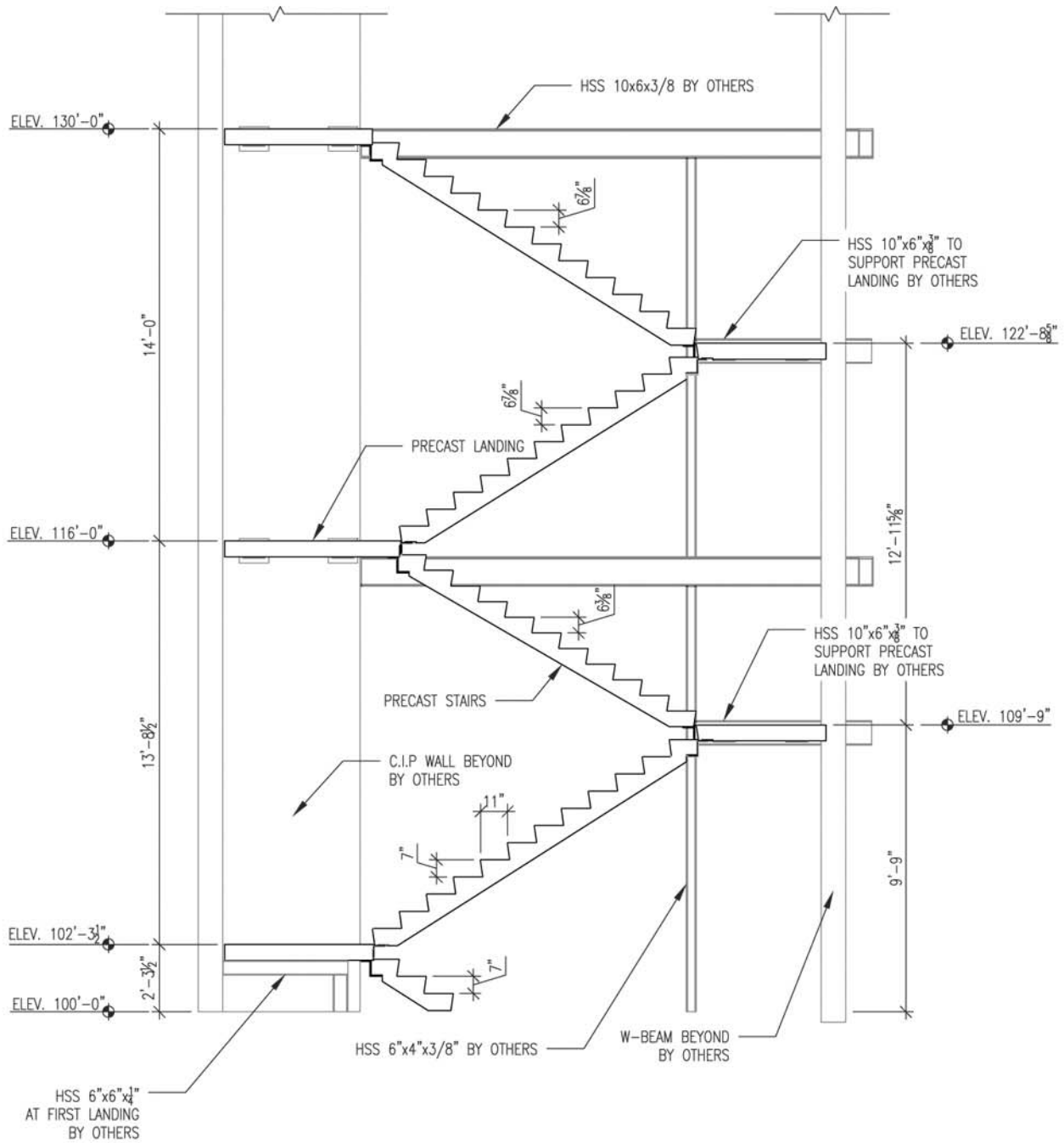


**NORTHWEST PRECAST**

**BOISE STATE UNIVERSITY  
FOOTBALL COMPLEX  
BOISE IDAHO**

- WHITE BASED POLISHED PRECAST
- ONE SINGLE MIDDLE SUPPORT COLUMN
- STAINLESS STEEL RAILING WITH GLASS PANELS



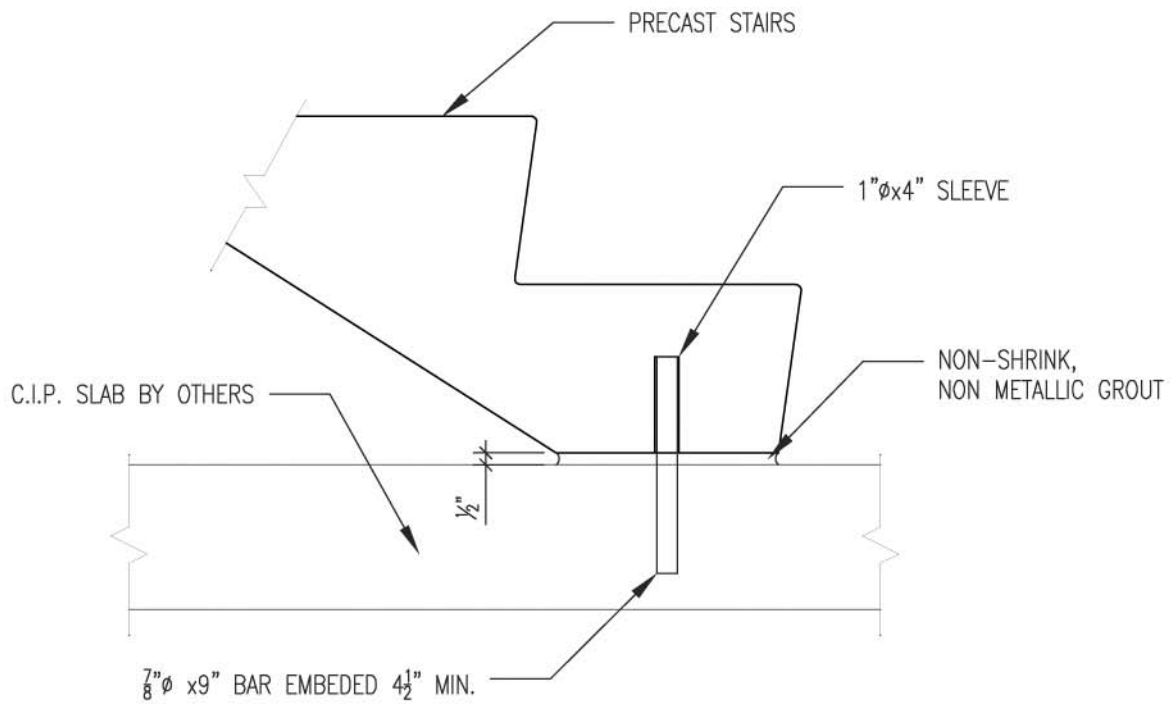


TYPICAL SECTION



NORTHWEST PRECAST

seattle portland boise



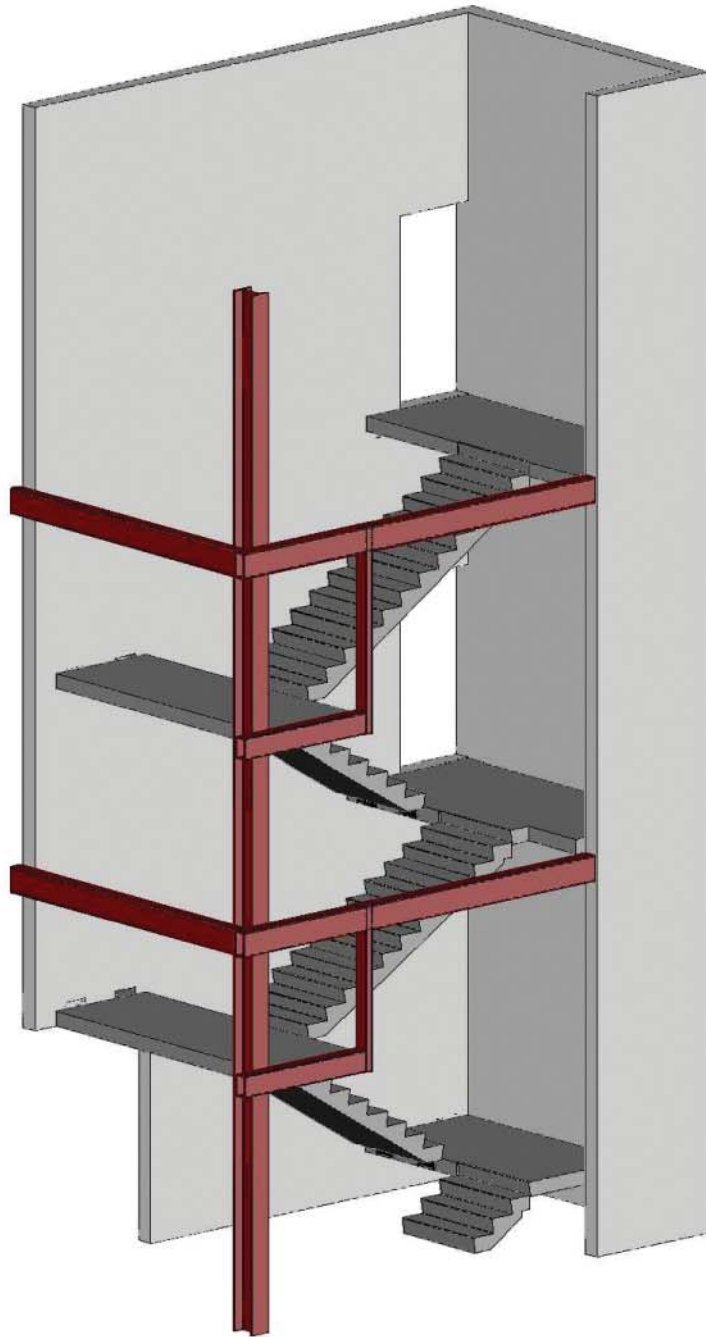
## STAIR TO FLOOR CONNECTION



**NORTHWEST PRECAST**

**seattle portland boise**



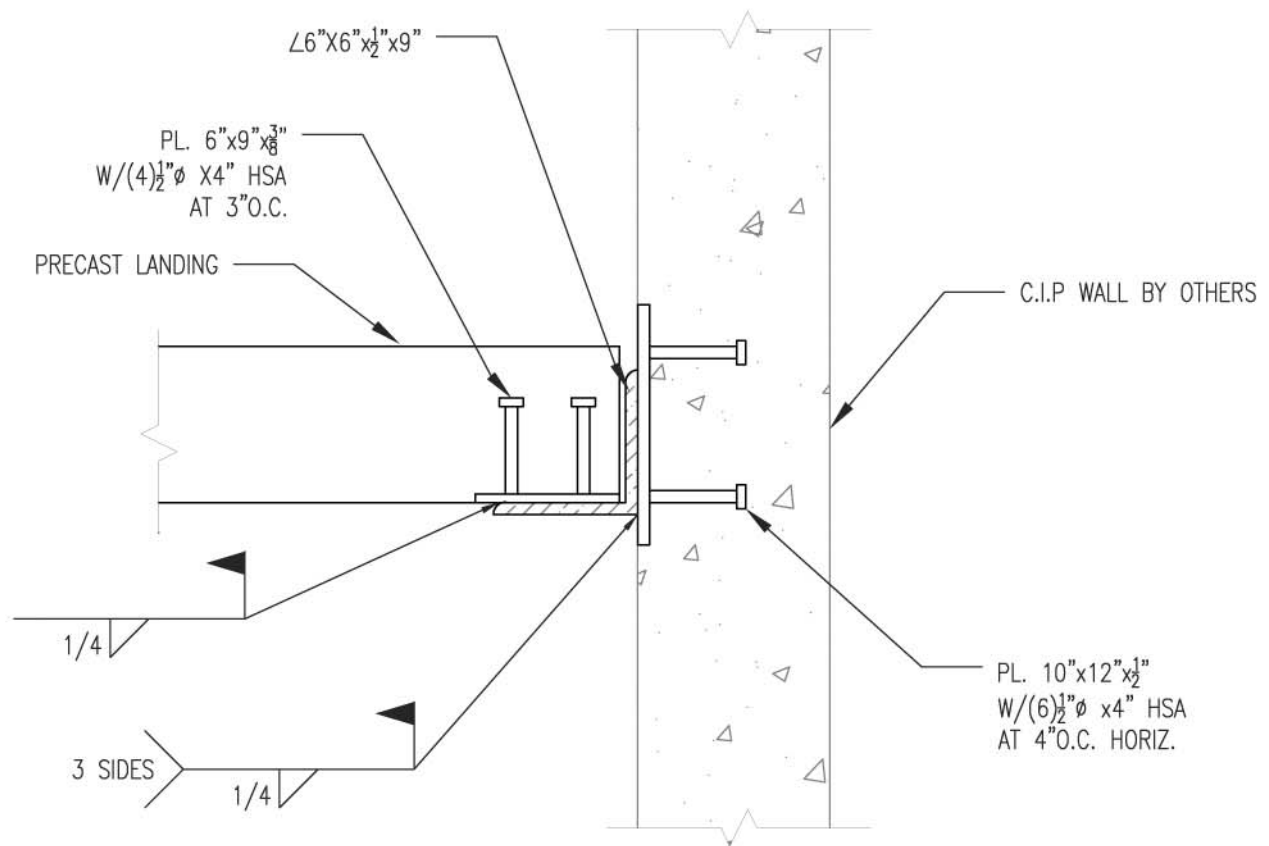


TYPICAL STAIR TO STRUCTURAL STEEL CONNECTION



**NORTHWEST PRECAST**

**seattle portland boise**

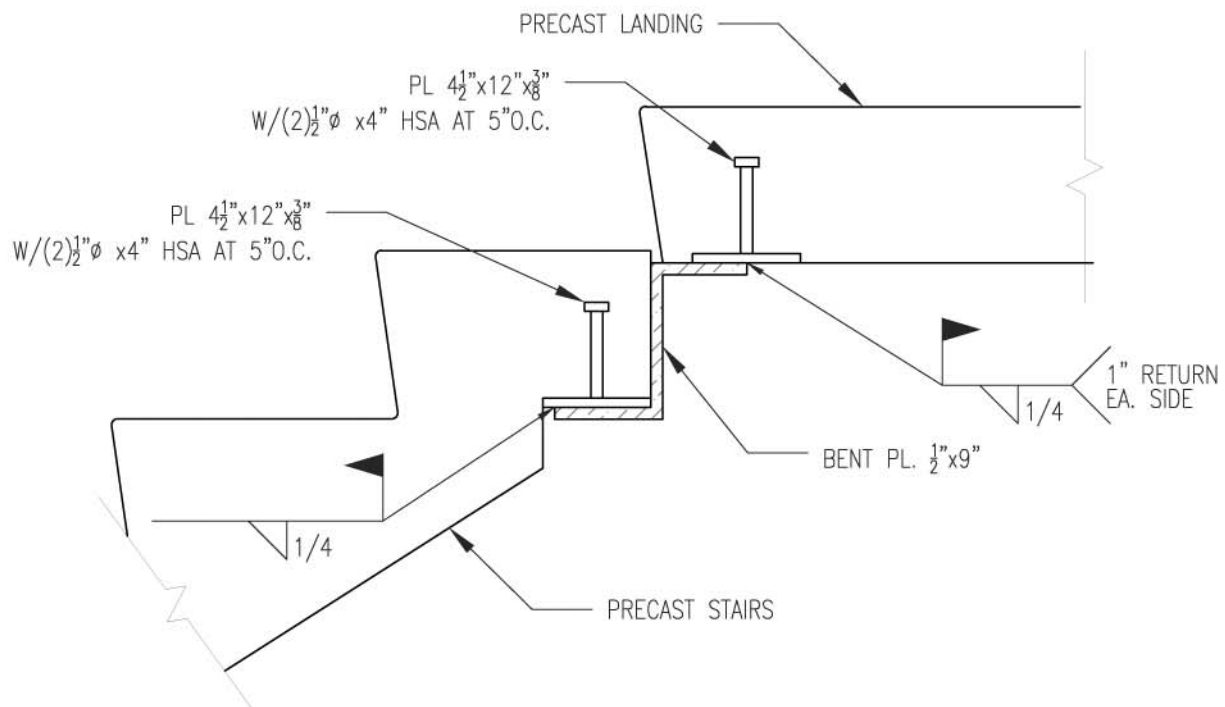
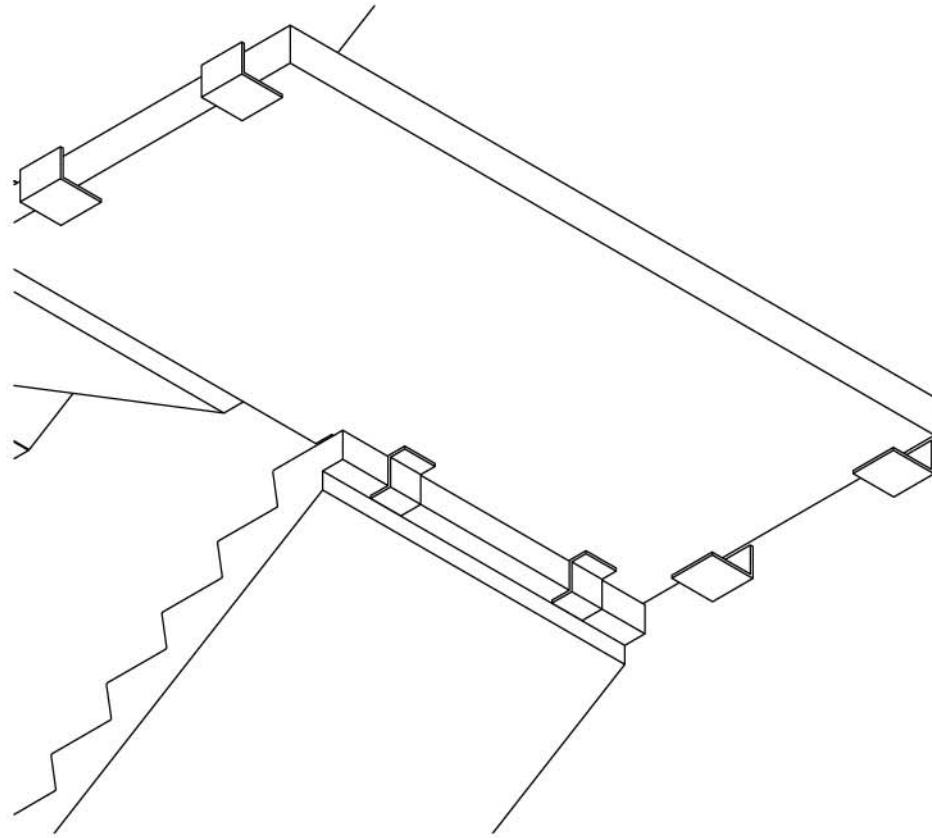


## LANDING TO WALL CONNECTION



**NORTHWEST PRECAST**

**seattle portland boise**

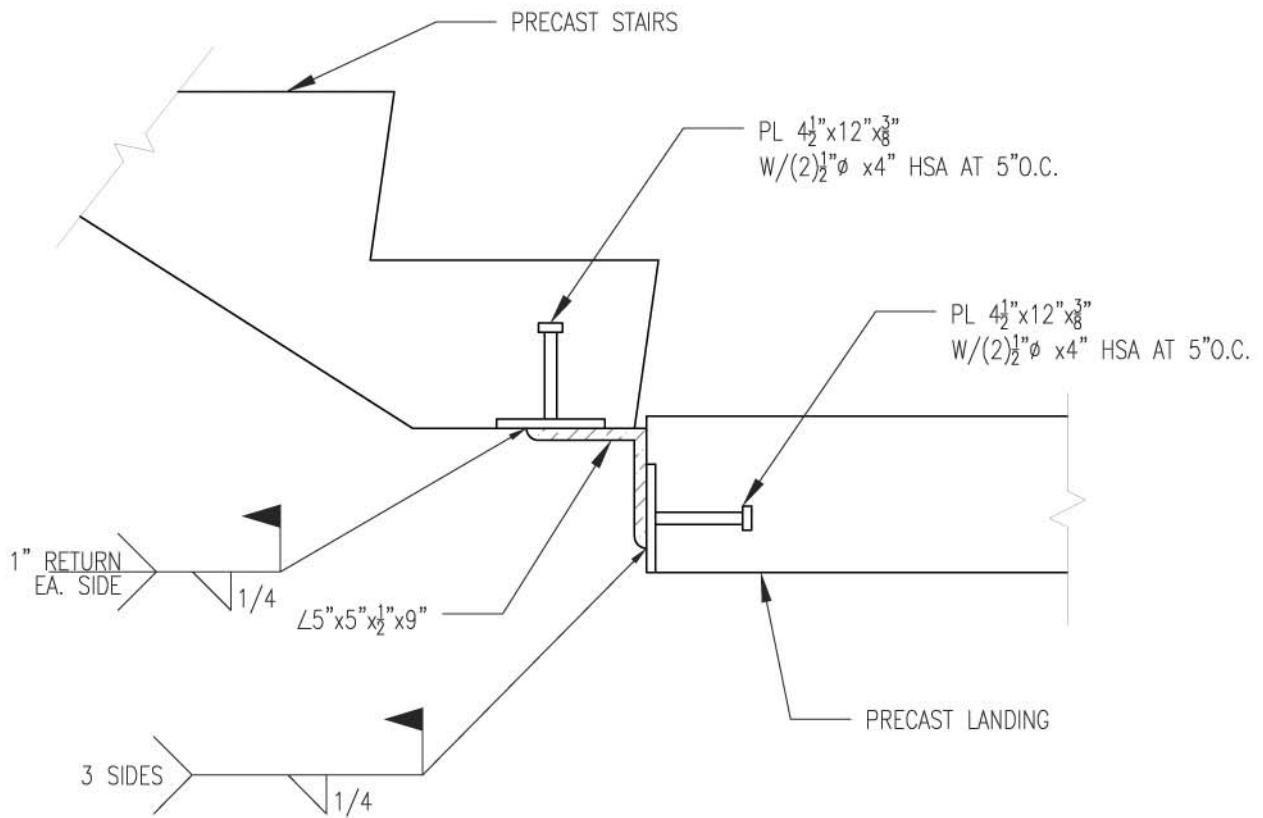
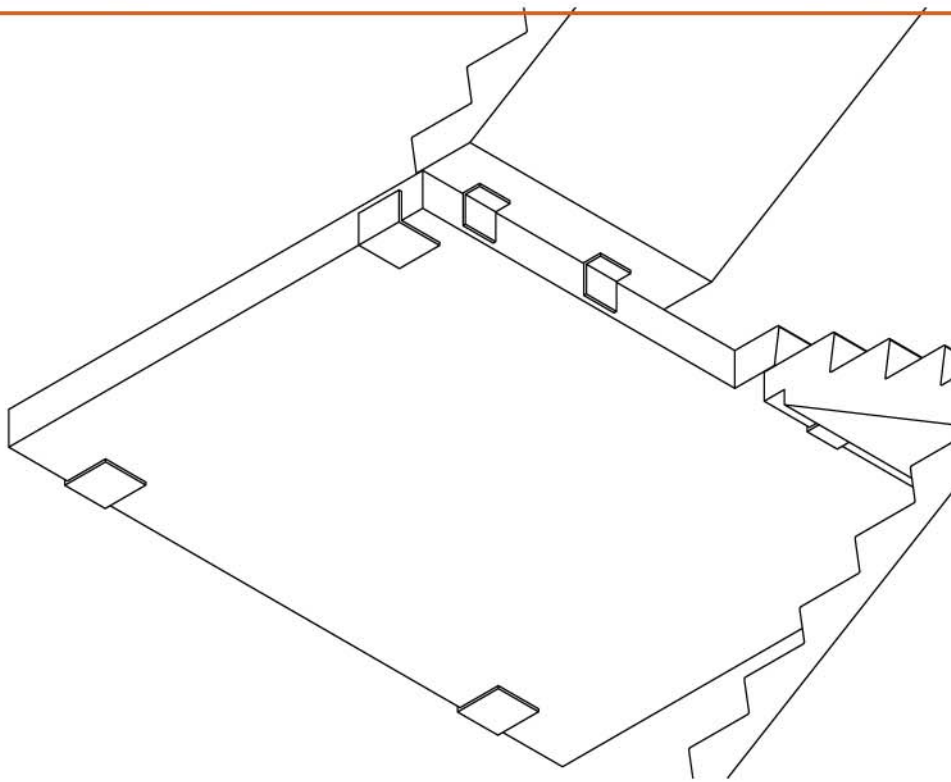


**LANDING TO DOWN RISER CONNECTION**



**NORTHWEST PRECAST**

**seattle portland boise**

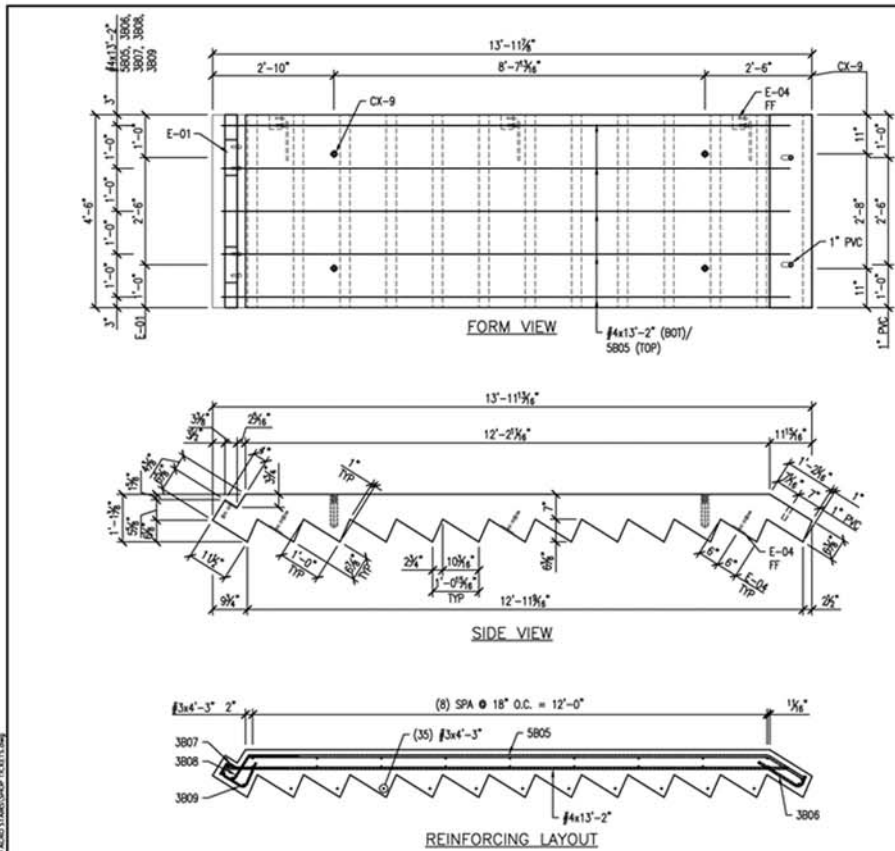


**LANDING TO UP RISER CONNECTION**



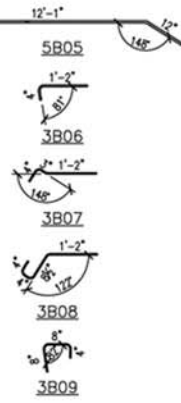
**NORTHWEST PRECAST**

**seattle portland boise**



BILL OF MATERIALS	
NOTATION	QTY
#4x13'-2"	5
#3x4'-3"	35
5805	2
5806	2
5807	2
5808	2
5809	2
1" x 4" PVC SLEEVE	2
E-01	3
E-04	3
CX-9 1" x 9"	4

SPECIFICS	
PRODUCT:	STRINGER
WEIGHT (LBS):	7,808
CUBIC YARDS:	1.89
FINISH:	MEDIUM ETCH
MIX DESIGN:	NATURAL GREY
FCI:	3500 psi / 5000 psi
AIR:	



**NOTES**

NF - NEAR FACE  
 FF - FAR FACE  
 B.O. - BLOCK OUT  
 ITEMS NOT MARKED ARE NF  
 O.C. - ON CENTER

ALL REINF. 1 1/2" CLR. U.N.O  
 (T&B) - TOP AND BOT

FOR PRODUCTION

**NORTHWEST PRECAST**  
 ARCHITECTURAL CONCRETE PRODUCTS  
 A LIMITED LIABILITY COMPANY

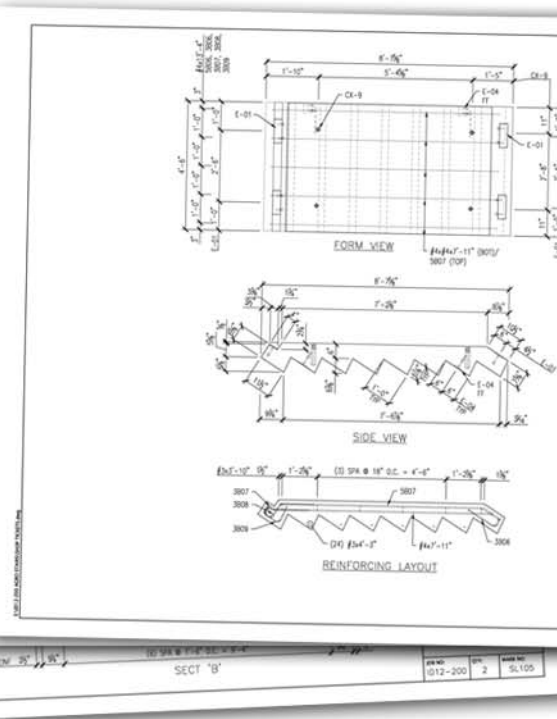
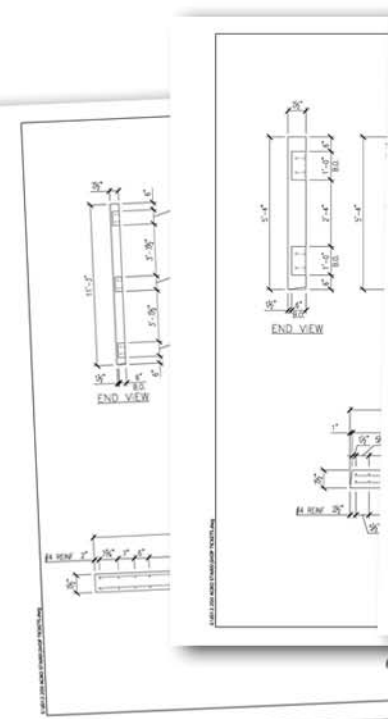
MANUFACTURING PLANT    CORPORATE OFFICE  
 213 10th Street S.E.    211 Orchard Road  
 Portland, OR 97222    Beaverton, OR 97005  
 503.775.8178    503.775.8942

CONTRACTOR:  
**TIPPMANN GROUP**

JOB NAME:  
**AGRO FARMA  
 CHOBANI**

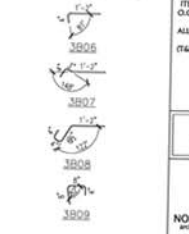
DRAWN BY: JWK  
 FOR PRODUCTION: 8/6/12  
 REVISIONS:

JOB NO:	QTY:	MARK NO:
ID12-200	1	SS105



BILL OF MATERIALS	
NOTATION	QTY
#4x13'-2"	5
#3x4'-3"	35
5805	2
5806	2
5807	2
5808	2
5809	2
1" x 4" PVC SLEEVE	2
E-01	3
E-04	3
CX-9 1" x 9"	4

SPECIFICS	
PRODUCT:	STRINGER
WEIGHT (LBS):	4,338
CUBIC YARDS:	1.05
FINISH:	MEDIUM ETCH
MIX DESIGN:	NATURAL GREY
FCI:	3500 psi / 5000 psi
AIR:	



**NOTES**

NF - NEAR FACE  
 FF - FAR FACE  
 B.O. - BLOCK OUT  
 ITEMS NOT MARKED ARE NF  
 O.C. - ON CENTER

ALL REINF. 1 1/2" CLR. U.N.O  
 (T&B) - TOP AND BOT

FOR PRODUCTION

**NORTHWEST PRECAST**  
 ARCHITECTURAL CONCRETE PRODUCTS  
 A LIMITED LIABILITY COMPANY

MANUFACTURING PLANT    CORPORATE OFFICE  
 213 10th Street S.E.    211 Orchard Road  
 Portland, OR 97222    Beaverton, OR 97005  
 503.775.8178    503.775.8942

CONTRACTOR:  
**TIPPMANN GROUP**

JOB NAME:  
**AGRO FARMA  
 CHOBANI**

DRAWN BY: JWK  
 FOR PRODUCTION: 8/6/12  
 REVISIONS:

JOB NO:	QTY:	MARK NO:
ID12-200	2	SS107

## TYPICAL SHOP TICKET



**NORTHWEST PRECAST**